

Key Features:

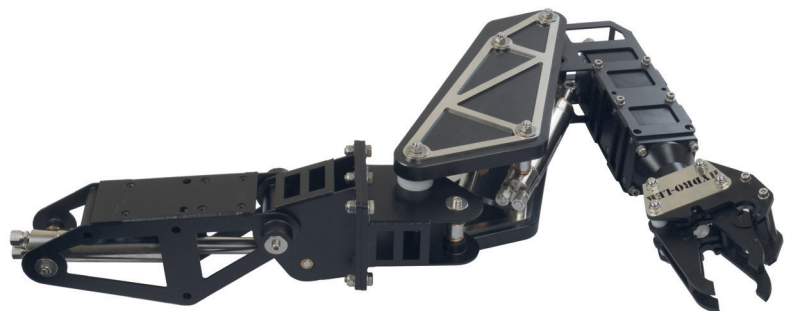
- Excellent dexterity and articulation
- Lightweight
- Lift of 40Kg at full reach
- Incorporates 19mm soft rope cutter
- Five degrees of freedom
- Manipulator
- Port or starboard mounting
- Configuration on slewplate

Hydro-Lek HLK-HD5

Manipulators and Accessories

The HLK-HD5 Manipulator is a heavy duty, rugged five function arm designed for the new breed of smaller work class ROVs.

It incorporates the HLK-2020 Continuous Jaw Rotate Mechanism which also has the unique 19mm diameter rope cutter. The arm incorporates a flange mounting to facilitate port or starboard mounting configurations on the slew plate. The slew plate is designed to enable the arm to swing across the front of the vehicle and also 30° to the outside making it also suitable as a pipe line camera platform. A rotating slew can also be used, enabling the arm to be rotated through 90° from vertical to horizontal.



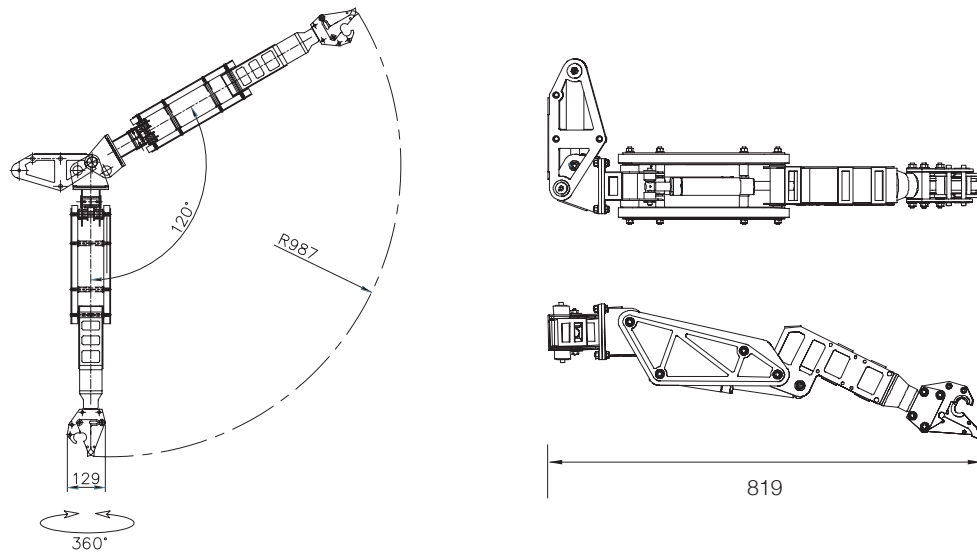
Hydro-Lek HLK-HD5

Manipulators and Accessories



Specifications

Dimensions	Length of arm	819mm
	Length of slew plate	280mm
	Height	145mm
	Width	380mm (folded)
Capacities	Rotate	360° continuous
	Torque at 140 bar (across ports)	38Nm
	Lift capacity at full reach at 140 bar	40Kg
	Max working pressure	210 bar
Weight	Weight in air	21.5Kg
	Weight in water	16.5Kg
Construction	316 SS Epoxy hard coated	
	HE 30 Hard anodised aluminium	
	High Density Polyethelene	



System Components

HD5 manipulator		
Hydraulic hose set		
Operating manual		
Transit case		