

Key Features:

- Robust proven design
- Small and light
- Rapid switching from suction to jetting
- Option of close fitting inlet strainer
- Reverse flush for suction nozzle

Tritech Merlin

Dredgers

The new 35 - 60 h.p. Merlin excavation pump is the must have successor to the Excalibur. Merlin incorporates many of the improved design features introduced on the small Super ZipJet pump which has proven to be so successful.

The pump is smaller, lighter and more robust with greater performance in both excavation and jetting functions. It features the same double seal arrangement as the Super ZipJet and a modular design provides great ease of maintenance.



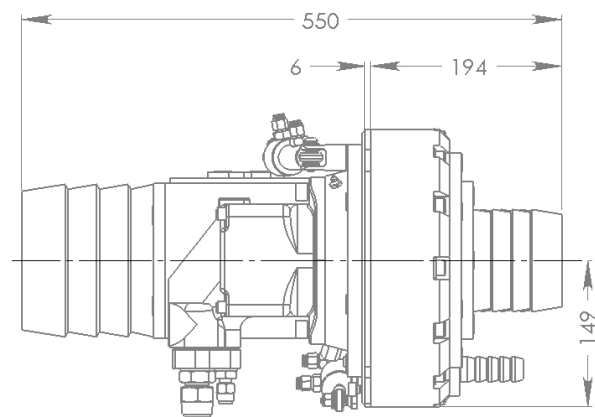
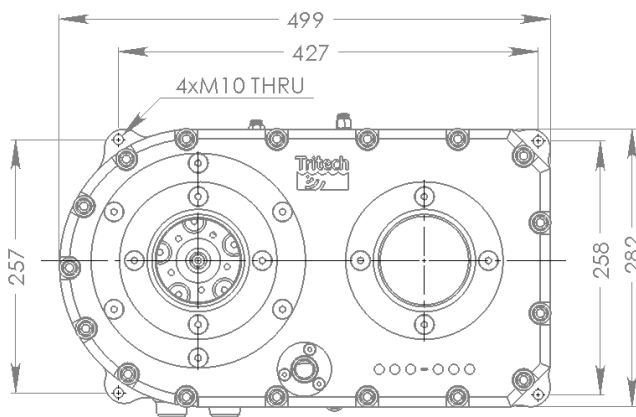
Tritech Merlin

Dredgers



Specifications

Dimensions	Height	550mm
	Width	499mm
Weight	Weight in air	40Kg
	Weight in water	17Kg
Hydraulics motor input	Pressure	170 to 250 Bar
	Flow	65 to 110 LPM
Actuator	Minimum pressure	120 Bar
	Maximum pressure	240 Bar
Output	Jetting performance	Up to 600 LPM at 8 Bar
	Suction flow	2000 - 4000 LPM
	Solids removal rate	10 - 40 tonnes per hour
Materials	Stainless steel, Nylacast, UHMWPE	



System Components

Merlin ZipPump	Suction / jetting hose set plus clamps	
Inlet strainer	Operating manual	
Suction nozzle	Transit case	
Jetting nozzle		