

## Key Features:

- Suitable for 8-56" OD pipeline
- Easy adjustment to suit various pipe sizes
- Fitted with durable rubber wheels + s/s bearings
- Low maintenance

# Kystdesign Survey Wheels

## Survey Wheels

The survey wheels have been designed to allow the ROV to run on a pipeline during survey tasks. The wheels are suitable for use on a large range of pipeline sizes and can be easily adjusted to the pipeline as required.

Supplied with 2 x mounting beams and 4 x wheel carriages allows the operator to position the wheels on the ROV or Skid as required to suit the task at hand.



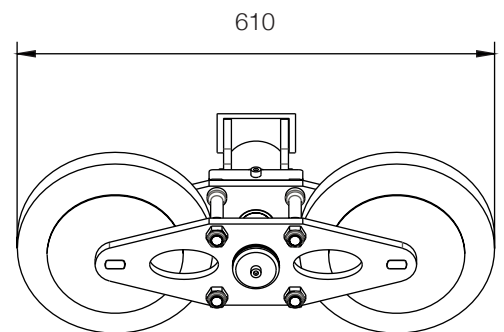
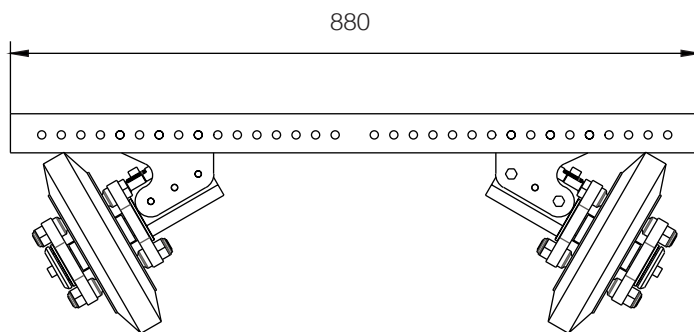
# Kystdesign Survey Wheels

Survey Wheels



## Specifications

Dimensions	Overall height	280mm
	Carriage width	610mm
	Beam Width	880mm
Weight	Weight in air	27Kg per assy



## System Components

2 x mounting beam		
4 x carriage C/W wheels		
Transit case		